

RX600

Solray385

High Power LEDs for Increased Yields



Since 2009 we have been committed to creating the best LED grow lights on the market so as to enable growers to increase yields, quality and energy savings.

With one of the largest patent portfolios of the horticulture lighting industry, we are the pioneers of the high quality LED grow light solutions.



Plant trials
conducted



Spectra tested



Countries sold to
so far



Patents granted

Hundreds of clients around the world rely on Valoya technology including 8 out of 10 world's largest agricultural companies.

As our customers, you will receive the support and care of our photobiologists, seed to sale.

RX-Series

The RX-series form factor resembles traditional HID lighting and offers an easy to install option for one-to-one replacement of HID lights. RX-series lights are thus ideal for a step by step investment in LEDs by replacing part of HID lights with more energy efficient Valoya wide spectrum LED lights. A highly durable fixture due to all aluminium build, high IP and passive cooling.



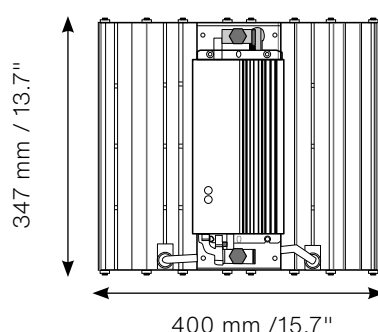
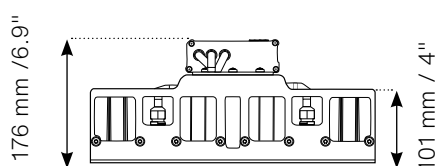
RX600 Solray385

Solray385 is a wide spectrum light encompassing wavelengths from UV-A to far red and appearing white to human eyes. It is a close match to natural outdoor light and is thus suitable for all plants and all growth stages.

| Spectrum Data | UV | B | G | R | FR | PAR | CCT | CRI | B:G | R:FR |
|------------------|-----|------|------|------|-----|------|------|-----|-----|------|
| Solray385 | 2 % | 19 % | 36 % | 40 % | 3 % | 95 % | 4500 | 90 | 0.7 | 13.0 |

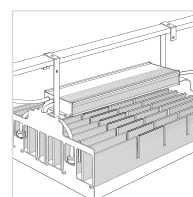
Typical values presented in the tables. There may be some variations between the spectra in different fixture models due to a disparity in the LED layout.

Product Dimension

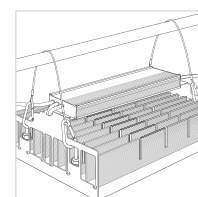


Mounting Options:

Standard



Optional



| Technical Specification* | RX600 |
|-----------------------------------|--|
| Spectrum | Solray385 |
| Power input (incl. LED driver) | 655 W |
| Voltage input | RX600HV 200 - 480 VAC RX600HH 220 - 480 VAC |
| Light output (PF) | 1700 $\mu\text{mol/s}$ |
| Light efficacy (380 nm ~ 820 nm) | 2.6 $\mu\text{mol/W}$ |
| Weight, luminaire and LED driver | 25.6 lb (11.6 kg) |
| Dimensions, luminaire (L x W x H) | 347 x 400 x 176 mm (13.7" x 15.7" x 6.9") |
| Cables | 0.3 m (11.8") mains to LED driver, 1.3 m (52") luminaire to LED driver, 0.3 m (11.8") dimming cable |
| Dimming | 0-10V, PWM, light output: off, 6-100% |
| Distance from the plants (rec.) | 0.5 - 4.0 m (20" - 13.1') |
| Light intensity decay | Max 10% at 36 000 h. Typical usage 50 000 h. |
| Certifications / Approvals | CE marked, RoHS compliance Tested and certified to UL & CSA standards |
| Plug type | Open end (pigtails) |
| Ambient operating temperature | -10 °C - +35 °C (14 °F - 95 °F) |
| Cooling | Passive |
| Water & impact protection | IP65: Dust-tight & protected against water jets |
| Warranty | Up to 5 years limited warranty. More details at www.valoya.com/warranty . |

*Typical values presented. Tolerances apply.

Get in touch with Valoya

T +358 10 2350 300
E sales@valoya.com
W www.valoya.com

Head office
Melkonkatu 26,
00210 Helsinki, Finland

Distributors
The complete distributor list is available
at: www.valoya.com/contact