

RX600

# Solray385

High Power LEDs for Increased Yields



Since 2009 we have been committed to creating the best LED grow lights on the market so as to enable growers to increase yields, quality and energy savings.

With one of the largest patent portfolios of the horticulture lighting industry, we are the pioneers of the high quality LED grow light solutions.



Plant trials conducted



Spectra tested



Countries sold to so far



Patents granted

Hundreds of clients around the world rely on Valoya technology including 8 out of 10 world's largest agricultural companies.

As our customers, you will receive the support and care of our photobiologists, seed to sale.

## RX-Series

The RX-series form factor resembles traditional HID lighting and offers an easy to install option for one-to-one replacement of HID lights. RX-series lights are thus ideal for a step by step investment in LEDs by replacing part of HID lights with more energy efficient Valoya wide spectrum LED lights. A highly durable fixture due to all aluminium build, high IP and passive cooling.



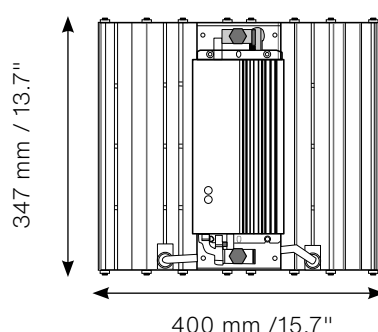
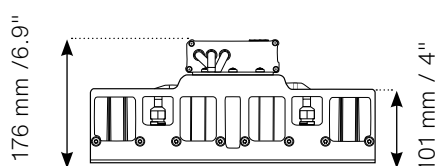
# RX600 Solray385

**Solray385** is a wide spectrum light encompassing wavelengths from UV-A to far red and appearing white to human eyes. It is a close match to natural outdoor light and is thus suitable for all plants and all growth stages.

Spectrum Data	UV	B	G	R	FR	PAR	CCT	CRI	B:G	R:FR
<b>Solray385</b>	2 %	19 %	36 %	40 %	3 %	95 %	4500	90	0.7	13.0

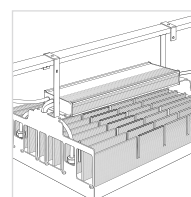
Typical values presented in the tables. There may be some variations between the spectra in different fixture models due to a disparity in the LED layout.

## Product Dimension

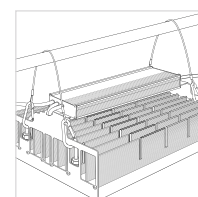


## Mounting Options:

### Standard



### Optional



Technical Specification*	RX600
Spectrum	Solray385
Power input (incl. LED driver)	655 W
Voltage input	RX600HV 200 - 480 VAC RX600HH 220 - 480 VAC
Light output (PF)	1700 $\mu\text{mol/s}$
Light efficacy (380 nm ~ 820 nm)	2.6 $\mu\text{mol/W}$
Weight, luminaire and LED driver	25.6 lb (11.6 kg)
Dimensions, luminaire (L x W x H)	347 x 400 x 176 mm (13.7" x 15.7" x 6.9")
Cables	0.3 m (11.8") mains to LED driver, 1.3 m (52") luminaire to LED driver, 0.3 m (11.8") dimming cable
Dimming	0-10V, PWM, light output: off, 6-100%
Distance from the plants (rec.)	0.5 - 4.0 m (20" - 13.1')
Light intensity decay	Max 10% at 36 000 h. Typical usage 50 000 h.
Certifications / Approvals	CE marked, RoHS compliance Tested and certified to UL & CSA standards
Plug type	Open end (pigtailed)
Ambient operating temperature	-10 °C - +40°C (14 °F - 104 °F)
Cooling	Passive
Water & impact protection	IP65: Dust-tight & protected against water jets
Warranty	Up to 5 years limited warranty. More details at <a href="http://www.valoya.com/warranty">www.valoya.com/warranty</a> .

\*Typical values presented. Tolerances apply.

## Get in touch with Valoya

**T** +358 10 2350 300  
**E** [sales@valoya.com](mailto:sales@valoya.com)  
**W** [www.valoya.com](http://www.valoya.com)

**Head office**  
Melkonkatu 26,  
00210 Helsinki, Finland

**Distributors**  
The complete distributor list is available  
at: [www.valoya.com/contact](http://www.valoya.com/contact)