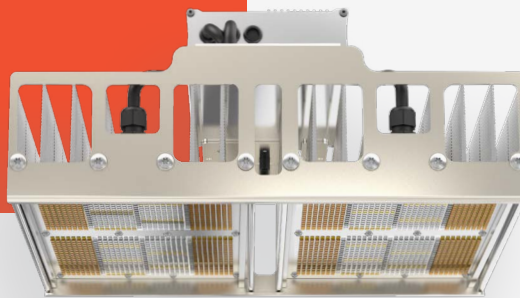


RX400

Solray™

For Sea of Green Cultivation



Minimal shading

- Compact design for minimal shading in greenhouse cultivation

Damp location / IP55

- Robust form-factor
- Not affected by dust for getting sprayed by water

940 $\mu\text{mol/s}$

- 2.4 $\mu\text{mol/W}$ at 392W
- Spectrum with UV-A and FR
- High CRI white, safe for humans

Excellent light transmission, up to 98%

- Durable, high quality tempered glass
- AR coated for better light transmission

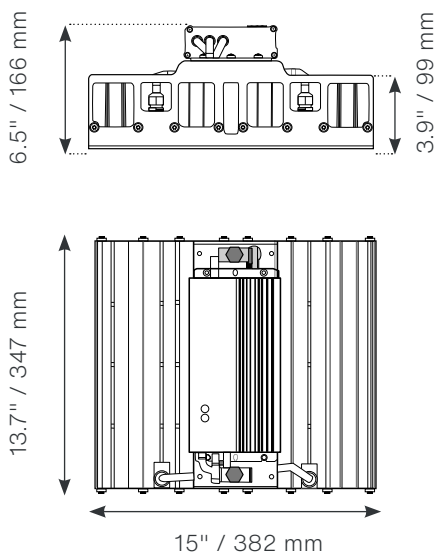
Solray™

A wide spectrum optimized for high THC and CBD accumulation.

RX400 Solray™ is a result of years of research into the interaction of light and the cannabis plant. It is a premium quality LED grow light that will bring consistent yields and cannabinoid expressions to your grow.

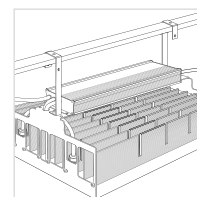


RX400 Solray™

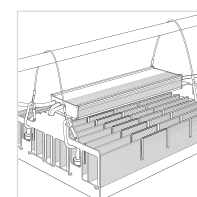


Mounting Options:

Standard



Optional



RX400 Solray™

Voltage input	120 VAC	208 VAC	230 VAC	240 VAC	277 VAC	347 VAC
Power input (incl. LED driver)	393 W	393 W	392 W	391 W	390 W	390 W
Current input	3.33 A	1.93 A	1.75 A	1.68 A	1.49 A	1.19 A
Light output	940 μmol/s	940 μmol/s	940 μmol/s	940 μmol/s	940 μmol/s	940 μmol/s
Light efficacy, (380 nm ~ 820 nm)	2.4 μmol/W	2.4 μmol/W	2.4 μmol/W	2.4 μmol/W	2.4 μmol/W	2.4 μmol/W
Weight (incl. driver)	24.3 lb (11 kg)					
Dimensions (L x W x H)	13.7" x 15" x 6.5" (347 x 382 x 166 mm)					
Cables	11.8" (0,3 m) mains input, 11.8" (0,3 m) dimming cable					
Dimming	0 - 10 V, PWM. Light output: off, 6 - 100%					
Distance from the plants (rec.)	20" - 13' (0,5 - 4,0 m)					
Light intensity decay	Max 10% at 36 000 h. Typical usage 50 000 h.					
PPFD (4' x 4')	450 μmol/m²/s at 20" (310 at 30", 220 at 40")					
PPFD (1,2 m x 1,2 m)	450 μmol/m²/s at 0,5 m (310 at 0,75 m, 220 at 1 m)					
Light distribution angle	120°					
Plug type	Open end (pigtailed)					
Ambient operating temperature	+14 ...+95 °F (-10 - +35 °C)					
Cooling	Passive					

Damp location rated (IP55), RoHS compliance, 3 years limited warranty (5 years optionally available)

Typical values presented. Tolerances apply.



Get in touch with Valoya

T +358 10 2350 300
E sales@valoya.com
W www.valoya.com

Head office
Melkonkatu 26,
00210 Helsinki, Finland

Distributors

The complete distributor list is available at: www.valoya.com/contact