

RX400

# Solray™

For Sea of Green Cultivation



### Minimal shading

- Compact design for minimal shading in greenhouse cultivation

### Damp location / IP55

- Robust form-factor  
- Not affected by dust for getting sprayed by water

### 940 $\mu\text{mol/s}$

- 2.4  $\mu\text{mol/W}$  at 392W  
- Spectrum with UV-A and FR  
- High CRI white, safe for humans

### Excellent light transmission, up to 98%

- Durable, high quality tempered glass  
- AR coated for better light transmission

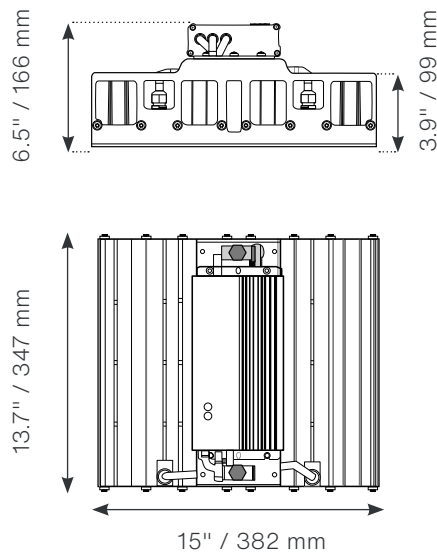
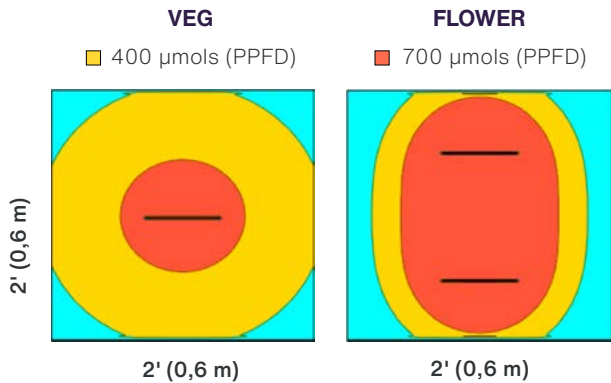
## Solray™

**A wide spectrum optimized for high THC and CBD accumulation.**

RX400 Solray™ is a result of years of research into the interaction of light and the cannabis plant. It is a premium quality LED grow light that will bring consistent yields and cannabinoid expressions to your grow.

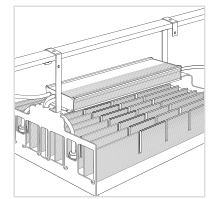


# RX400 Solray™

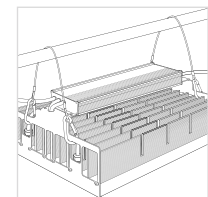


## Mounting Options:

### Standard



### Optional



## RX400 Solray™

Voltage input	120 VAC	208 VAC	230 VAC	240 VAC	277 VAC	347 VAC
Power input (incl. LED driver)	-	393 W	392 W	391 W	390 W	390 W
Current input	-	1.93 A	1.75 A	1.68 A	1.49 A	1.19 A
Light output	-	940 µmol/s	940 µmol/s	940 µmol/s	940 µmol/s	940 µmol/s
Light efficacy, (380 nm ~ 820 nm)	-	2.4 µmol/W	2.4 µmol/W	2.4 µmol/W	2.4 µmol/W	2.4 µmol/W
Weight (incl. driver)	24.3 lb (11 kg)					
Dimensions (L x W x H)	13.7" x 15" x 6.5" (347 x 382 x 166 mm)					
Cables	11.8" (0,3 m) mains input, 11.8" (0,3 m) dimming cable					
Dimming	0 - 10 V, PWM. Light output: off, 6 - 100%					
Distance from the plants (rec.)	20" - 13' (0,5 - 4,0 m)					
Light intensity decay	Max 10% at 36 000 h. Typical usage 50 000 h.					
PPFD (4' x 4')	<b>450 µmol/m<sup>2</sup>/s</b> at 20" (310 at 30", 220 at 40")					
PPFD (1,2 m x 1,2 m)	<b>450 µmol/m<sup>2</sup>/s</b> at 0,5 m (310 at 0,75 m, 220 at 1 m)					
Light distribution angle	120°					
Plug type	Open end (pigtailed)					
Ambient operating temperature	+14 ...+95 °F (-10 - +35 °C)					
Cooling	Passive					

Damp location rated (IP55), RoHS compliance, 3 years limited warranty (5 years optionally available)

*Typical values*



## Get in touch with Valoya

**T** +358 10 2350 300  
**E** sales@valoya.com  
**W** www.valoya.com

**Head office**  
 Melkonkatu 26,  
 00210 Helsinki, Finland

### Distributors

The complete distributor list is available at: [www.valoya.com/contact](http://www.valoya.com/contact)