

BX120

Solray™

Seed to Flower. Indoor. Multilayer.

Flexible installation

- Easy to set-up on an area 4' (1,2m), 6' (1,8m), 8' (2,4m), 12' (3,6m) long and 2' (0,6m) or 4' (1,2m) wide



Wet location / IP67

- Sealed shut
- Doesn't collect dust and pathogens
- Easily sterilized

1300 μ mol/s

- 2.4 μ mol/W at 132W (4 bars)
- Spectrum with UV-A and FR
- High CRI white, safe for humans

Excellent light transmission, up to 98%

- Durable, high quality tempered glass
- AR coated for better light transmission

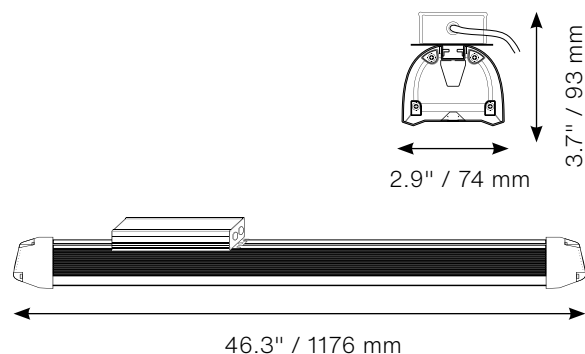
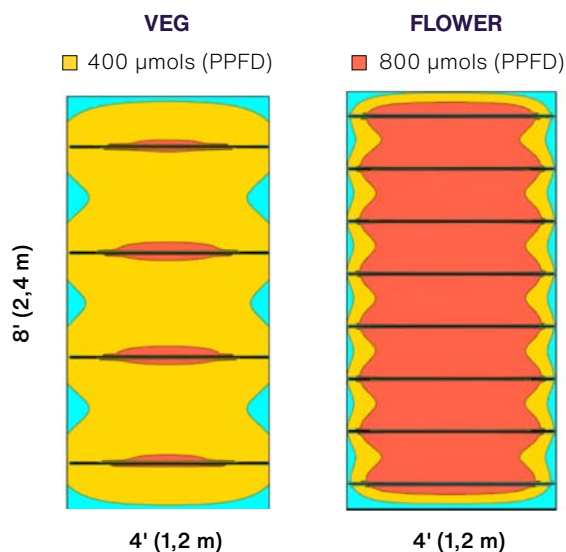
Solray™

A wide spectrum optimized for high THC and CBD accumulation.

BX120 Solray™ is a result of years of research into the interaction of light and the cannabis plant. It is a premium quality LED grow light that will bring consistent yields and cannabinoid expressions to your grow.

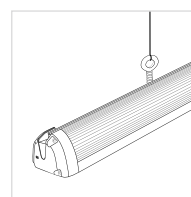


BX120 Solray™

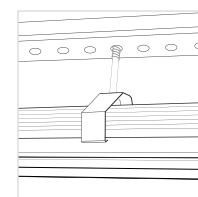


Mounting Options:

Standard



Optional



BX120 Solray™

Voltage input	200 -277 VAC	200 - 480 VAC
Power input (incl. LED driver)	132 W	132 W
Current input	0.66 A - 0.47 A	0.66 A - 0.3 A
Light output	320 μmol/s	
Light efficacy (380 nm ~ 820 nm)	2.4 μmol/W	2.4 μmol/W
Weight, luminaire and LED driver	8.6 lb / 3,9 kg	
Dimensions, luminaire (L x W x H)	46.3" x 2.9" x 2.3" (1176 x 74 x 58 mm)	
Cables	11.8" (0,3 m) mains to LED driver, 52" (1,3 m) luminaire to LED driver, 11.8" (0,3 m) dimming cable	
Dimming	0 - 10 V, PWM. Light output: off, 6 - 100%	
Distance from the plants (rec.)	4" - 13' (0,1 - 4,0 m)	
Light intensity decay	Max 10% at 36 000 h. Typical usage 50 000 h.	
PPFD (4 bars, 4' x 4')	840 μmol/m²/s at 4" (730 at 8", 560 at 16", 430 at 24")	
PPFD (4 bars, 1,2 m x 1,2 m)	840 μmol/m²/s at 0,1 m (730 at 0,2 m, 560 at 0,4 m, 430 at 0,6 m)	
Light distribution angle	120°	
Plug type	Open end (pigtailes)	
Ambient operating temperature	32 - 104 °F (0 - 40 °C)	
Cooling	Passive (no fins / fans to collect dust and pathogens)	
Certifications / Approvals	CE marked, RoHS compliance, tested and certified to UL & CSA standards	
Wet location rated (IP67), 3 years limited warranty (5 years optionally available)		

Typical values



Get in touch with Valoya

T +358 10 2350 300
E sales@valoya.com
W www.valoya.com

Head office
 Melkonkatu 26,
 00210 Helsinki, Finland

Distributors
 The complete distributor list is available
 at: www.valoya.com/contact