

Valoya



[NEW] BL - SERIES

LED GROW LIGHTS



BL-Series

BL-Series combines the high intensity and durability of the BX-Series with the chainability feature allowing up to 16 luminaires to be connected to a single mains input. The LED driver is internal meaning less cables and a simple installation. The BL-Series is ideal for high light intensity applications.

- **Typical applications**

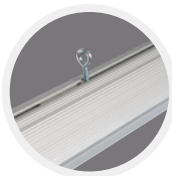
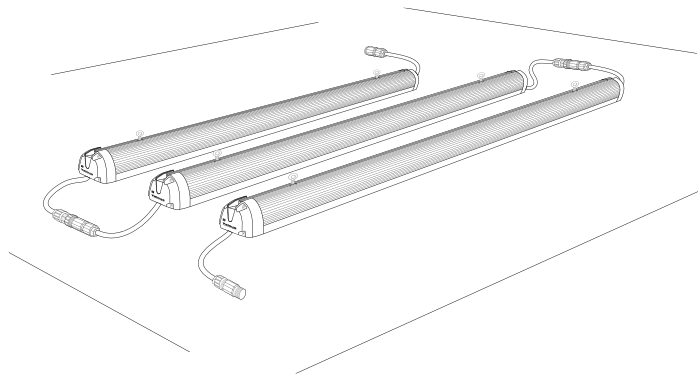
High intensity lighting, greenhouses, growth rooms, multilayer

- **Light intensity in typical applications**

100 ~ 800 $\mu\text{mol}/\text{m}^2/\text{s}$

- **Accessories**

Standard hook included. Optional hook available to order.



Standard



Optional

	BL120
Power consumption (incl. driver)	125 W
Input voltage	220 - 240 VAC
Weight including LED driver	3,2 kg (7.1 lb)
Dimensions (L x W x H)	1176 x 73,5 x 58 mm 46.3" x 2.9" x 2.3"
Cables	0,3 m (11.8") from each end of luminaire
Certifications / Approvals	CE marked
Dimming	n/a
Distance from the plants (rec.)	0,1 m (4")
Light intensity decay	Max 10% at 35 000 h. Typical usage 50 000 h.
Light efficacy, (380 nm ~ 820 nm)	Up to 2,1 $\mu\text{mol}/\text{W}$ (spectrum dependent)
Ambient operating temperature	0 - 35 °C (32 - 95 °F)
Maximum no. of interconnected luminaires	16
Ingress protection rating IP66, Impact protection rating IK03, RoHS compliance, 3 years limited warranty	

For more detailed technical specifications please download the 'Installation Guide' from valoya.com/brochures