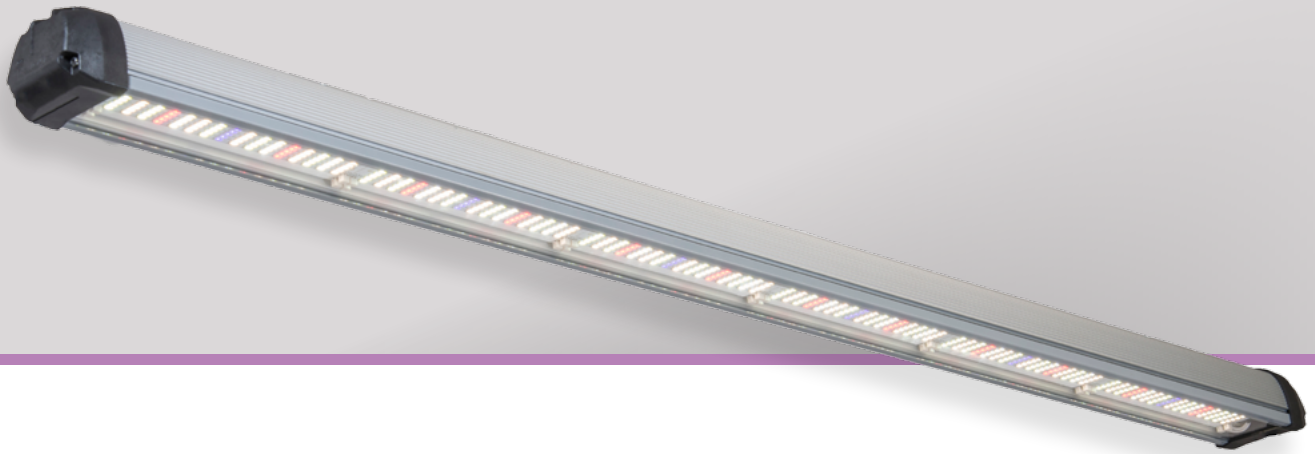


Valoya



[NEW] BX - SERIES

LED GROW LIGHTS



BX-Series

BX-Series is the new generation of Valoya's bestseller, the B-Series. Light intensity of up to 2,1 $\mu\text{mol}/\text{m}^2/\text{s}$ comes in slim, light, humidity and impact resistant bar shaped luminaires. Applications demanding high light intensity with absolute light uniformity are what BX-Series was designed for.

- **Typical applications**

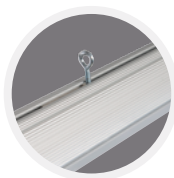
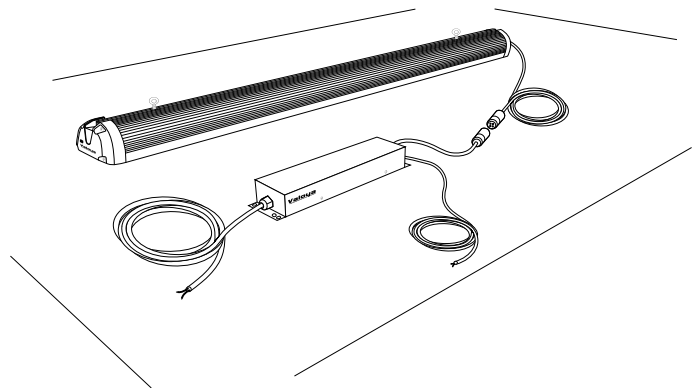
High intensity lighting, growth rooms, multilayer

- **Light intensity in typical applications**

100 ~ 800 $\mu\text{mol}/\text{m}^2/\text{s}$

- **Accessories**

Standard hook included. Optional hook available to order.



Standard



Optional

	BX90	BX120	BX180
Power consumption (incl. driver)	88 W	132 W	199 W
Input voltage	100 - 305 VAC	90 - 305 VAC	
Weight including LED driver	4 kg (8.8 lb)	4,6 kg (10.1 lb)	5,9 kg (13 lb)
Dimensions (L x W x H)	903 x 73,5 x 58 mm	1176 x 73,5 x 58 mm	1722 x 73,5 x 58 mm
	35.5" x 2.9" x 2.3"	46.3" x 2.9" x 2.3"	68" x 2.9" x 2.3"
Cables	2 m (79") mains to LED driver, 0,3 m (11.8") LED driver to luminaire, 1 m (39.4") luminaire to LED driver 2 m (79") dimming cable		
Certifications / Approvals	CE marked, Tested and certified to UL/CSA standards		
Dimming	1 - 10 V, PWM. Light output: 10 - 100%		
Distance from the plants (rec.)	0,1 - 4,0 m (0.1" - 13.1')		
Light intensity decay	Max 10% at 35 000 h. Typical usage 50 000 h.		
Light efficacy, (380 nm ~ 820 nm)	Up to 2,1 $\mu\text{mol}/\text{W}$ (spectrum dependent)		
Ambient operating temperature (luminaire / LED driver)	0 - 40 °C (32 - 104 °F) / 0 - 30 °C (32 - 86 °F)		
Ingress protection rating IP67-luminaire and IP54-LED driver, Impact protection rating IK08, RoHS compliance, 3 years limited warranty			

For more detailed technical specifications please download the 'Installation Guide' from valoya.com/brochures